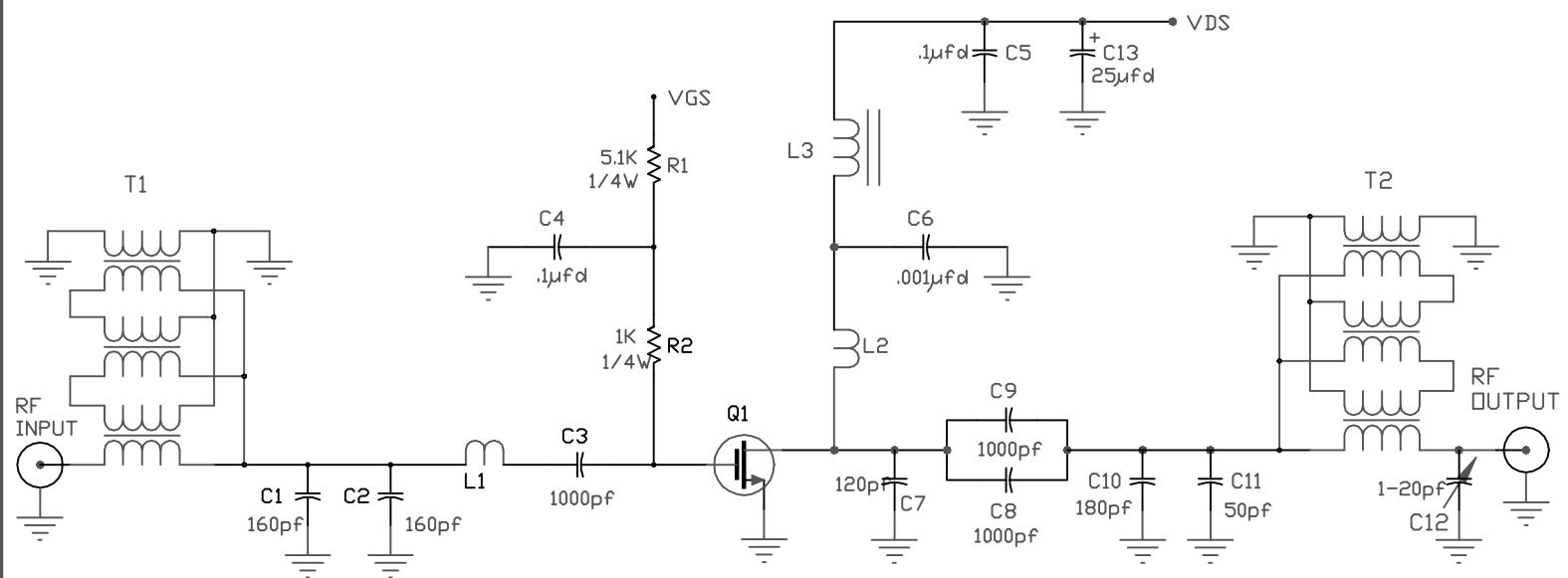


REVISIONS			
REV	DESCRIPTION	DATE	APPROVED



SM704

- T1 9:1 transformer 3" long Z0=17ohm
- T2 9:1 transformer 3" long Z0=18ohm
- L1 .125 long #18
- L2 .750 long #18
- L3 Choke 5T #18 AWG 850µ Toroid

DRN BY	S. K. LEONG	5/15/99
CHKD		
ELECT		
MECH		
PRDC		
QUAL		
PGMS		

POLYFET RF DEVICES		
SCHEMATIC		
175 MHz 160 WATTS		
SIZE	FSCM NO.	REV
A		TB-115
SCALE:		SHEET OF